

Review 6

38

(A) Choose the correct answer and write its number in the brackets provided. [7 marks]

1. The length of a rectangle is 32 cm. Its length is twice its breadth. What is the perimeter of the rectangle?

- (1) 48 cm (3) 192 cm
(2) 96 cm (4) 512 cm ()

2. The perimeter of a square is 20 cm. What is its area?

- (1) 10 cm^2 (3) 25 cm^2
(2) 20 cm^2 (4) 40 cm^2 ()

3. The length of a square field is 256 m. Paul runs 6 rounds around the field. Find the total distance that he has run.

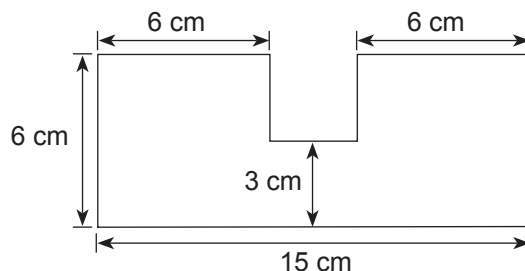
- (1) 1024 m (3) 4096 m
(2) 1536 m (4) 6144 m ()

4. The perimeter of a rectangle, which is made up of two squares, is 12 cm. What is its area?

- (1) 6 cm^2 (3) 9 cm^2
(2) 8 cm^2 (4) 12 cm^2 ()

5. The perimeter of the figure below is _____.

- (1) 36 cm
(2) 42 cm
(3) 48 cm
(4) 51 cm



()

6. The perimeter of a rectangle is 64 cm. If its length is 19 cm, find its breadth.

(1) 13 cm

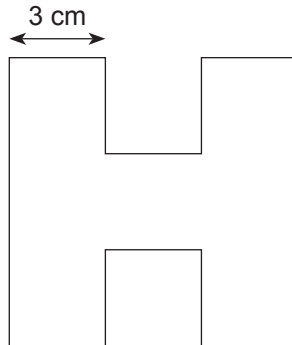
(3) 22.5 cm

(2) 15 cm

(4) 26 cm

()

7. The figure below is made up of squares. What is its area?



(1) 45 cm²

(3) 63 cm²

(2) 48 cm²

(4) 81 cm²

()

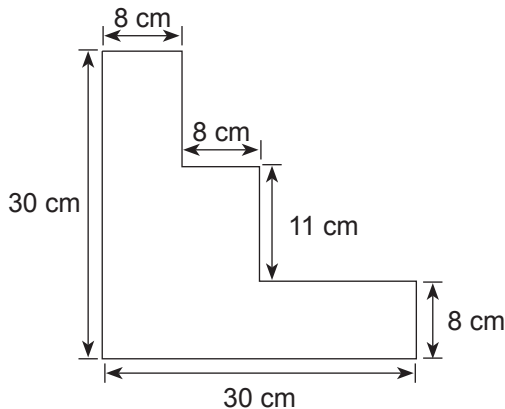
(B) Write your answers on the lines provided.

8. A square has a perimeter of 40 cm. What is its area?

_____ [2 marks]

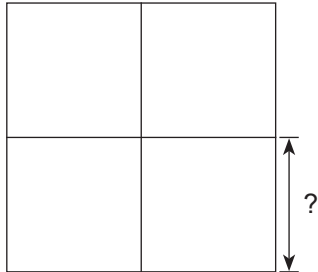
9. The figure below is made of 3 rectangles. Find the area of the figure.

_____ [4 marks]



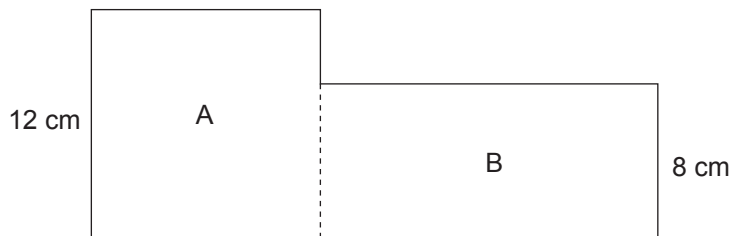
10. The figure is made up of 4 identical squares. It has an area of 256 cm^2 . What is the length of each square?

[2 marks]



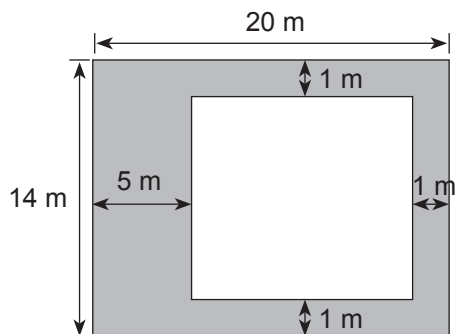
11. The figure below is made up of a square and a rectangle. Square A and rectangle B have the same area. What is the perimeter of the figure?

[2 marks]



12. Find the area of the shaded part.

[3 marks]



(C) Do these word problems. Show your working clearly in the space provided.

13. Mary has a ribbon of length 3.78 m. The length of her ribbon is 3 times as long as Sarah's ribbon. How much longer is Mary's ribbon than Sarah's ribbon? **[2 marks]**

14. Mrs Flint bought 2.76 kg of grapes and divided the grapes equally among three neighbours and herself. How much grapes did each person get? Express your answer in kilograms. **[1 mark]**

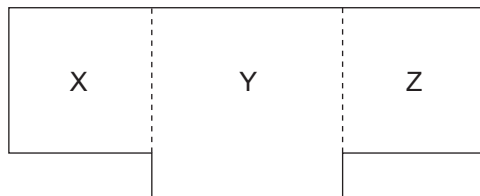
15. Elsie travels 12.9 km from her house to her office every day. She travels the same distance back home. What is the total distance travelled by Elsie from Monday to Friday? **[2 marks]**

16. A boutique paid \$2954.10 to its supplier for 12 similar dresses and 7 similar blouses. If all the dresses cost \$2376.60, how much did each blouse cost? **[2 marks]**

17. Sheila used 3.6 m of cloth from a 10-m cloth to sew two similar blouses. The remaining cloth was used to sew four identical skirts. How much cloth did Sheila use to sew each skirt? **[2 marks]**

18. Mr Grant wants to tile a 2-metre wide pavement round a swimming pool measuring 15 m by 12 m.
- (a) Find the area of the pavement that Mr Grant needs to tile. **[3 marks]**
- (b) How much does he have to pay if the tiling costs \$29 per square metre? **[1 mark]**

19. In the figure, X and Z are identical squares. Y is a bigger square. The area of square X is 49 cm^2 and the area of square Y is 81 cm^2 . What is the perimeter of the figure? **[3 marks]**



20. Billy has a piece of cardboard of length 120 cm. Its breadth is $\frac{3}{5}$ as long as its length. Find the area of the cardboard. **[2 marks]**