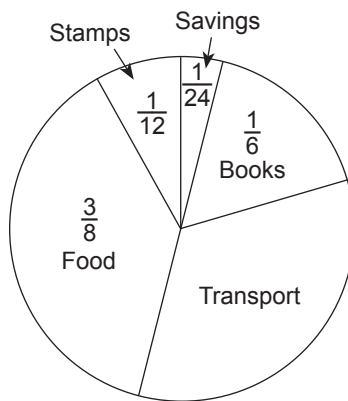


# Review 5

Choose the correct answer and write its number in the brackets provided.

[7 marks]

The pie chart below shows how Desmond spent a sum of \$192 that was given to him by his father. Study it carefully and answer questions 1 to 3.



1. How much money did Desmond spend on books and stamps?

(1) \$16

(3) \$48

(2) \$32

(4) \$80

( )

2. How much money did Desmond spend on food and transport?

(1) \$56

(3) \$72

(2) \$64

(4) \$136

( )

3. How much money did Desmond save?

(1) \$8

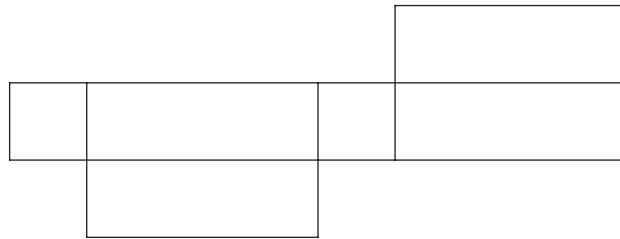
(3) \$24

(2) \$16

(4) \$32

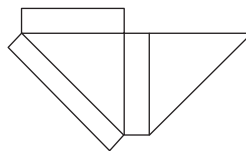
( )

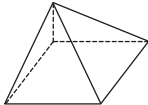
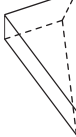
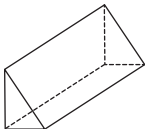
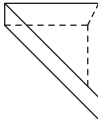
4. The net of a figure is shown below. What is the figure?



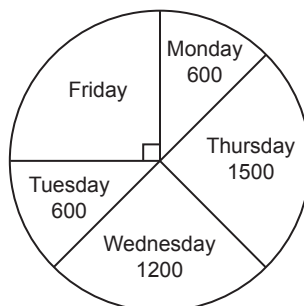
- (1) cube (3) pyramid  
 (2) cone (4) cuboid ( )

5. Below shows the net of a solid. Which of the following solids can be formed by this net?



- (1)  (3)   
 (2)  (4)  ( )

The pie chart below shows the number of people who visited the zoo over five days. Study it carefully and answer questions 6 and 7.



6. How many people visited the zoo on Friday?  
 (1) 650 (3) 1300  
 (2) 1200 (4) 1400 ( )

7. Find the ratio of the number of people who visited the zoo on Wednesday to the number of people who visited the zoo on Friday.

(1) 12 : 13

(3) 13 : 14

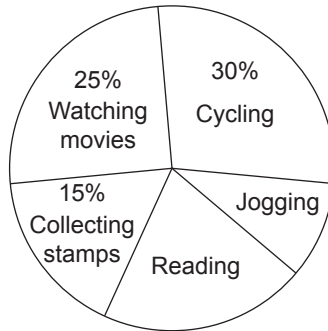
(2) 13 : 12

(4) 14 : 13

( )

**Write your answers on the lines provided.**

The pie chart below shows the different activities that a class of students enjoys doing during free time. Study it carefully and answer questions 8 to 10.



8. If 12 students like cycling, how many students are there in the class?

\_\_\_\_\_ [2 marks]

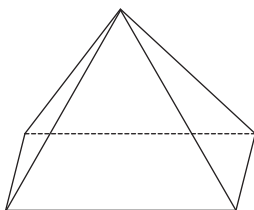
9. How many students like watching movies?

\_\_\_\_\_ [1 mark]

10. If the number of students who like reading is twice the number of students who like jogging, how many students like to read?

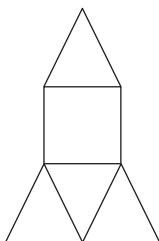
\_\_\_\_\_ [2 marks]

11. Identify the shape(s) of the faces that this solid has.



\_\_\_\_\_ [1 mark]

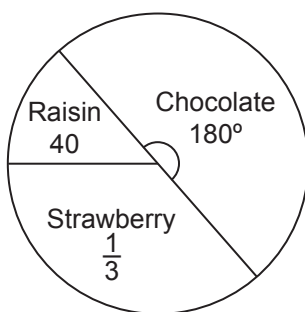
12. Below shows the net of a solid. Identify the solid.



---

[1 mark]

The pie chart below shows the different types of cakes sold by a bakery in June. Study it carefully and answer questions 13 to 15.



13. What fraction of the cakes sold in June was chocolate?

---

[1 mark]

14. Find the ratio of the number of strawberry cakes sold in June to the number of chocolate cakes sold in June.

---

[1 mark]

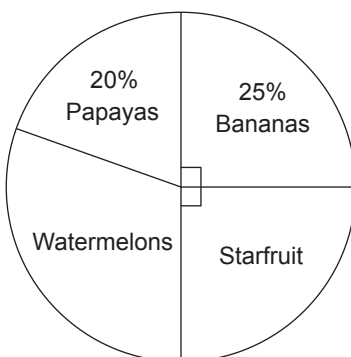
15. How many cakes did the bakery sell altogether in June?

---


[1 mark]

Do these word problems. Show your working clearly in the space provided.

The pie chart below shows the number of fruit sold by a shopkeeper. Study it carefully and answer questions 16 and 17 below.



16. If the shopkeeper sold 300 fruit altogether, how many watermelons did he sell? **[2 marks]**

 17. How much money would he collect from the sale of starfruit and papayas if he sold each starfruit at \$1.30 and each papaya at \$1.60? **[3 marks]**

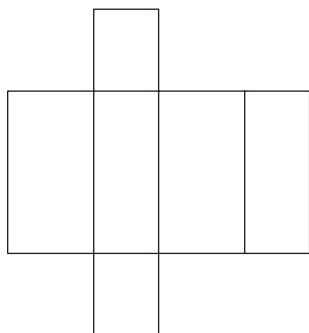
18. Below shows the net of a solid.

(a) Find the number of faces that this solid has when its net is folded.

[1 mark]

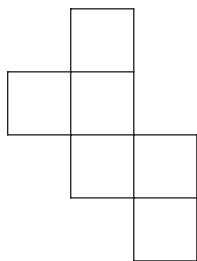
(b) State the shape(s) of the faces.

[1 mark]



19. (a) Below is a net of a figure. Identify the figure.

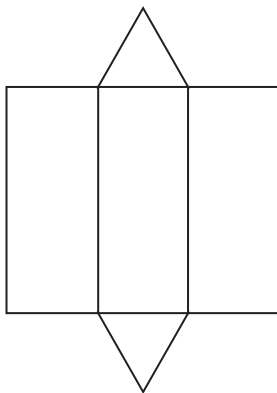
[1 mark]



(b) Draw another net of the same figure.

[1 mark]

20. Below shows the net of solid A.



- (a) Identify solid A. **[2 marks]**
- (b) How many faces does solid A have when the net is folded? **[1 mark]**