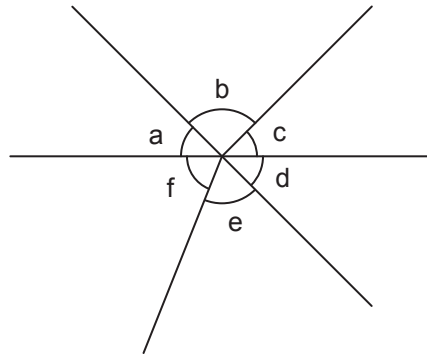


Review 5

Choose the correct answer and write its number in the brackets provided.

Use this figure to answer questions 1 and 2.



- Which of the following are vertically opposite angles? [1 mark]
 (1) $\angle a$ and $\angle e$ (3) $\angle a$ and $\angle d$
 (2) $\angle b$ and $\angle e$ (4) $\angle c$ and $\angle f$ ()
- Which of the following are angles on a straight line? [1 mark]
 (1) $\angle a$ and $\angle b$ (3) $\angle c$, $\angle d$ and $\angle e$
 (2) $\angle f$, $\angle a$ and $\angle b$ (4) $\angle d$, $\angle e$ and $\angle f$ ()

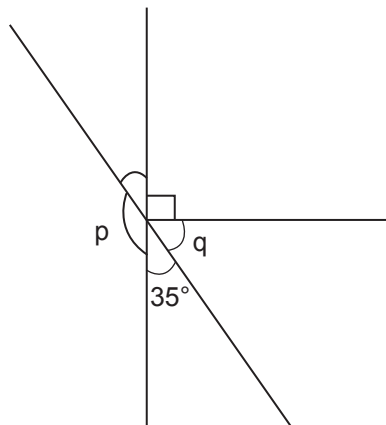
1 Singapore Dollar can be exchanged for 0.66 Euros. Use this information to answer questions 3 and 4.

- How much Euros can 15 Singapore Dollars be exchanged for? [1 mark]
 (1) €0.04 EUR (3) €9.90 EUR
 (2) €0.44 EUR (4) €99 EUR ()
- Approximately how much Singapore Dollars can 25 Euros be exchanged for? [1 mark]
 (1) \$3.88 SGD (3) \$37.88 SGD
 (2) \$16.50 SGD (4) \$165 SGD ()

5. A machine can produce 240 items in 1 minute. How many items can it produce in 1 hour? [1 mark]

- | | | |
|----------------|------------------|-----|
| (1) 1440 items | (3) 14 000 items | |
| (2) 2880 items | (4) 14 400 items | () |

The figure below is not drawn to scale. Use this figure to answer questions 6 and 7.



6. Find $\angle p$. [1 mark]

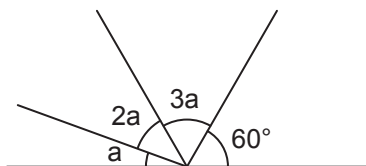
- | | | |
|----------------|-----------------|-----|
| (1) 35° | (3) 145° | |
| (2) 90° | (4) 180° | () |

7. Find the sum of $\angle p$ and $\angle q$. [2 marks]

- | | | |
|-----------------|-----------------|-----|
| (1) 55° | (3) 80° | |
| (2) 145° | (4) 200° | () |

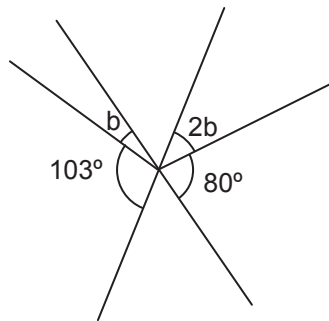
Write your answers on the lines provided.

8. The figure below is not drawn to scale. Find $\angle a$. [2 marks]



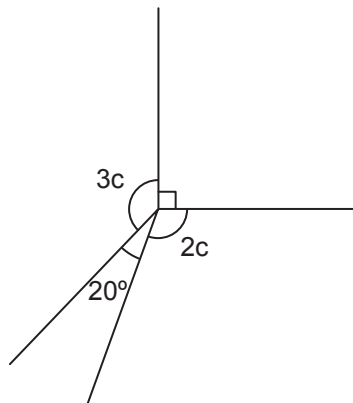
9. The figure below is not drawn to scale. Find $\angle 2b$.

[2 marks]



10. The figure below is not drawn to scale. Find the value of c .

[2 marks]



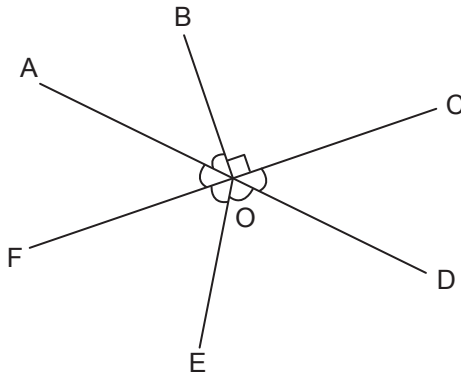
A worker is paid \$12.50 per hour. Use this information to answer questions 11 and 12.

11. How much is the worker paid in a day if he works from 8 am to 5 pm?

[1 mark]

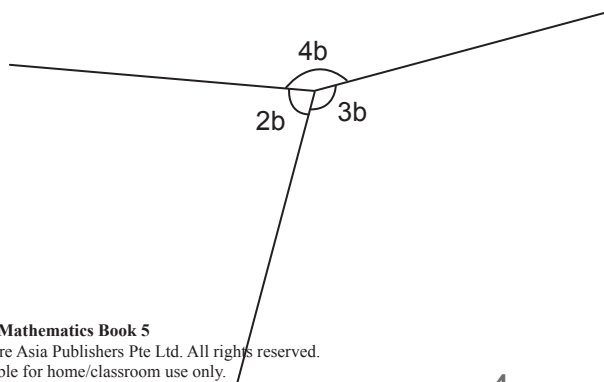
12. How much is he paid in two weeks if he works from Monday to Saturday? [1 mark]

13. Find the sum of $\angle EOF$ and $\angle AOB$ by measuring them with a protractor. [3 marks]



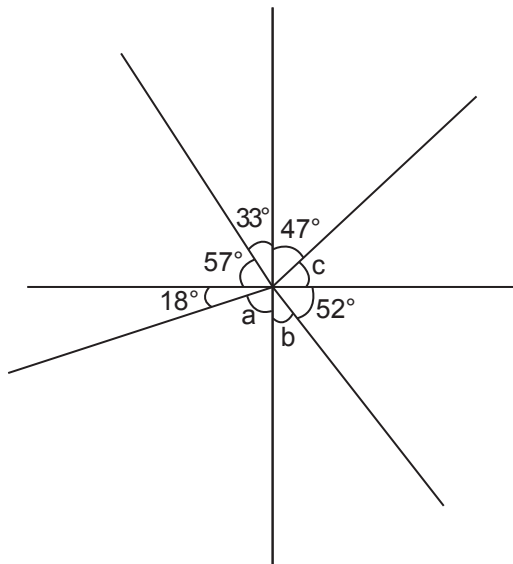
14. Uncle Tan uses 8 l of paint to cover an area of 650 m². What is the area covered by 1 l of paint? [1 mark]

15. The figure below is not drawn to scale. Find $\angle 4b$. [2 marks]



16. The figure below is not drawn to scale. Find the sum of $\angle a$ and $\angle c$.

[3 marks]



The following table shows the rates for hiring a taxi. Use the information to answer questions 17 and 18.

First kilometre	\$3.60
Every additional kilometre or part thereof up to 8 km	\$0.55
Every additional 300 m or part thereof after 8 km	\$0.30

17. What is the taxi fare for 7 km?

[2 marks]

18. What is the taxi fare for 9.2 km?

[3 marks]

A machine can produce 18 items in 3 minutes. Use this information to answer questions 19 and 20.

19. How many items can the machine produce in 10 minutes? **[2 marks]**

20. How long will it take to produce 540 items? **[3 marks]**
