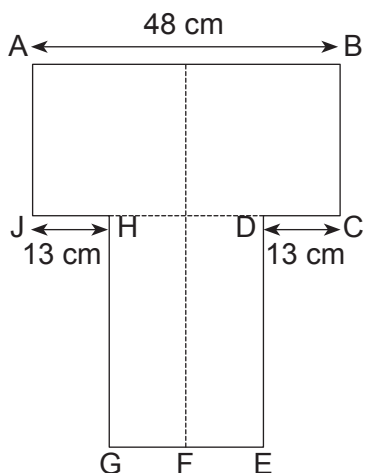


The figure below is made up of two identical squares and two identical rectangles. Use this figure to answer questions 4 and 5.



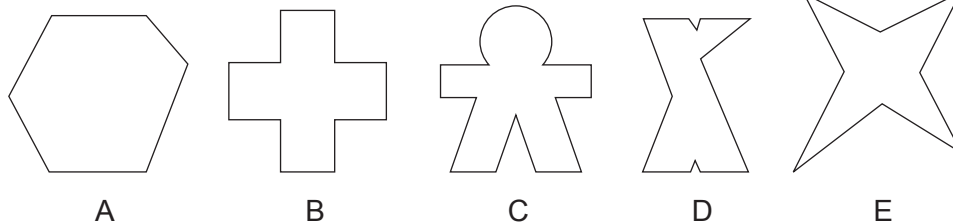
4. Find the length of AJ.

- | | | |
|-----------|-----------|-----|
| (1) 12 cm | (3) 24 cm | |
| (2) 22 cm | (4) 35 cm | () |

5. Find the length of FE.

- | | | |
|-----------|-----------|-----|
| (1) 35 cm | (3) 11 cm | |
| (2) 22 cm | (4) 10 cm | () |

6. Which of the following figures are symmetric?



- | | | |
|-------------|-------------|-----|
| (1) A and C | (3) B and C | |
| (2) A and D | (4) B and E | () |

(a) Identify the person standing in the north-west position.

_____ [1 mark]

(b) Identify the person standing in the south-east position.

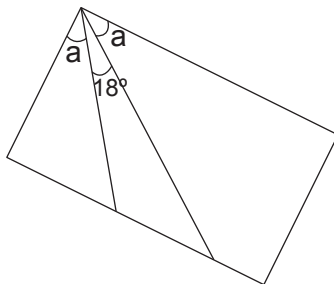
_____ [1 mark]

11. Giselle is facing south. If she makes a ° turn in the anticlockwise direction, she will face north-east.

_____ [1 mark]

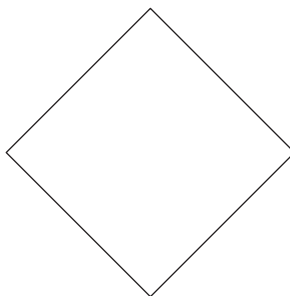
12. The figure below is not drawn to scale. Find $\angle a$.

[1 mark]

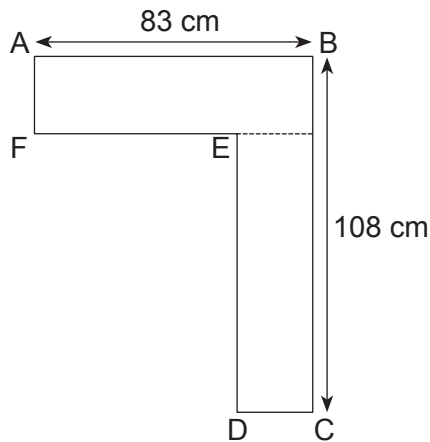


13. State one property of the figure shown below.

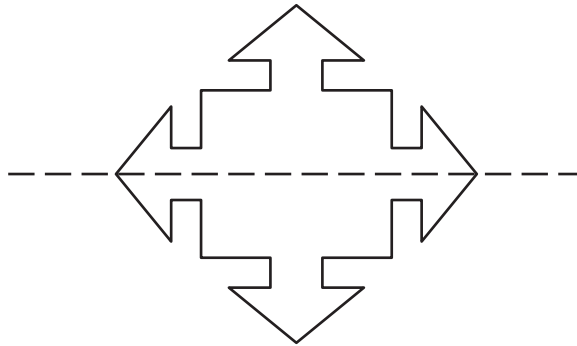
[1 mark]



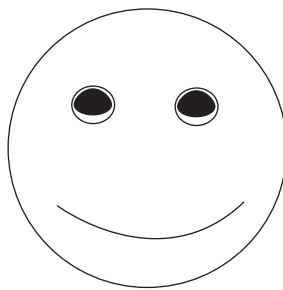
14. The figure below is made up of two identical rectangles. Find the length of AF. [1 mark]



15. State if the dotted line is a line of symmetry. [1 mark]

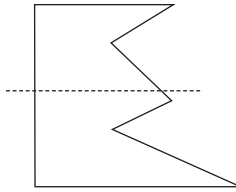


16. Is the figure below symmetric? [1 mark]



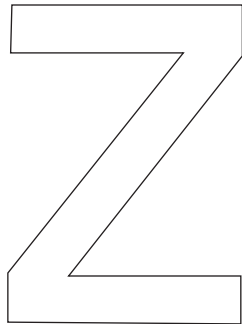
17. State if the dotted line is a line of symmetry.

[1 mark]



18. State if the letter 'Z' below is symmetric.

[1 mark]



(c) Do these problems. Show your working clearly in the space provided.

19. (a) Draw an angle of 168° and label it as x.

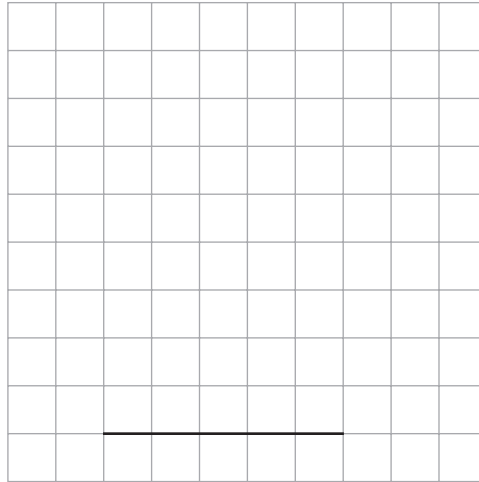
[1 mark]

(b) Draw an angle of 88° and label it as y.

[1 mark]

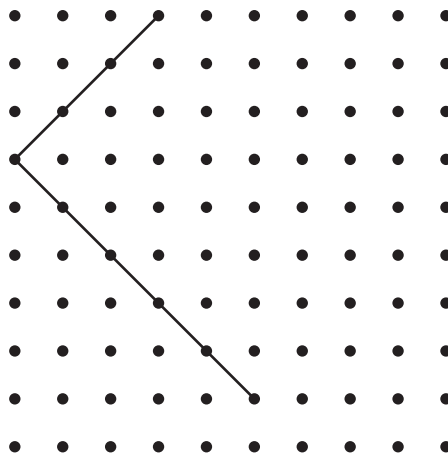
20. Draw a square from the given line.

[1 mark]



21. Draw a rectangle from the given lines.

[1 mark]



22. Draw a square PQRS of side 5 cm.

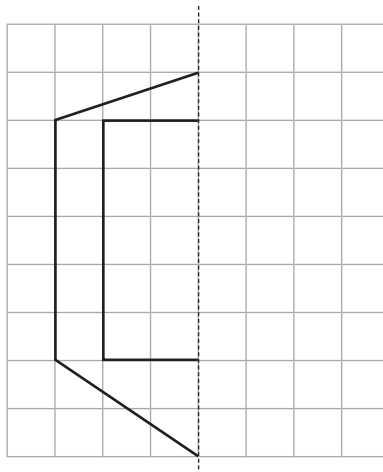
[2 marks]

23. Draw a rectangle WXYZ in which $WX = 10$ cm and $XY = 6$ cm.

[2 marks]

24. Complete the symmetric figure.

[1 mark]



25. Complete the symmetric figure.

[2 mark]

